

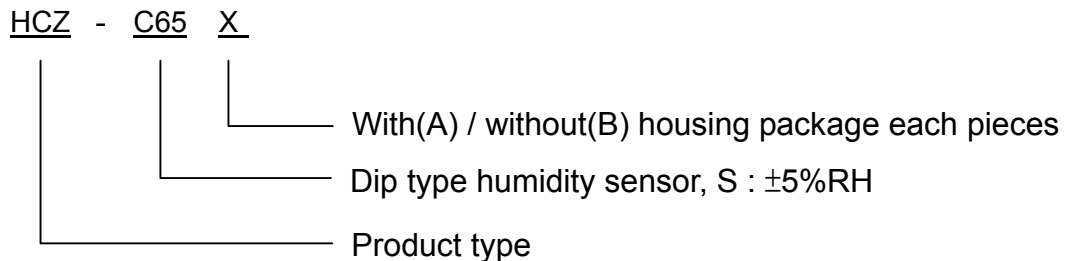
1 Description

This product specification is applied to the Humidity Sensor Type HCZ –C65. The terminal electrode material uses Lead free solder (Sn/Ag/Cu). This product is conformity with RoHS directive which means that lead, cadmium, mercury, hexavalent chromium and specific bromine-based flame retardants have not been used.

2 Applications

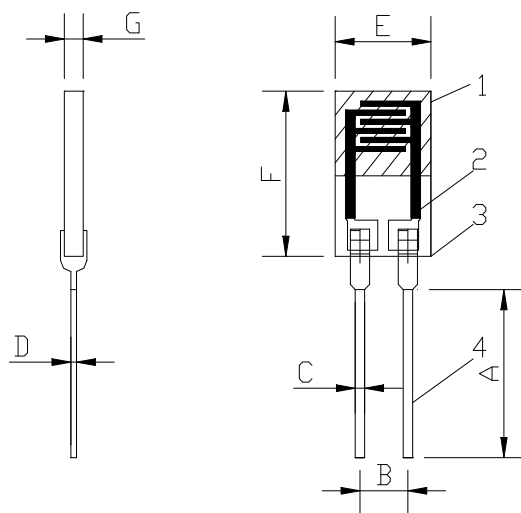
The applications of the component are used in relative humidity measurement, control and display. There are many end products can be used. For example air conditioner, humidifier, dehumidifier, hygrometer, recorder, transmitter...etc.

3 Model no.



4 Configuration & main parts

4.1 Configuration



This document is the exclusive property of Ghitron and shall not be reproduced or copied or transformed to any other format without prior permission of Ghitron. 本資料為積創專有之財產，非經許可，不得複製、翻印或轉變成其他形式使用。	Page 1 of 7	
	Rev.	A
	App.No.	(EC#1806001)06/01/18
	Material Part No.	

Units : mm

Symbol	Specifications	Symbol	Specifications
A	10.0±0.2	F	6.0±0.1
B	2.54±0.2	G	0.63±0.1
C	0.2±0.5		
D	0.1±2		
E	5.08±0.2		

4.2 Main parts :

No.	Parts	Material
1	Sensing material	Polymer
2	Electrode	Ag/Carbon
3	Substrate	Alumina
4	Lead frame	Phosphor bronze

5 Electrical characteristics :

5.1 General Characteristics :

	Units	Min.	Typ.	Max.
Rated voltage	Vrms	-	-	1
Rated power	mW	-	-	0.2
Operating frequency range	kHz	0.5	1	2
Operating temperature range	°C	0	-	60
Operating humidity range	%RH	-	-	90
Impedance range at 60%RH and 25°C**	KΩ	15	-	36.7
Humidity accuracy	%RH	-5	-	+5
Hysteresis (40%RH~80%RH)	%RH	-	-	2

** Measurement by LCR meter at 1KHz, 1 Vrms(sine wave)

5.2 Relative humidity - Impedance – 25°C , 1kHz, 1 Vrms(sine wave)

%RH	20	30	40	50	60	70	80	90
Normal value (kΩ)	3771	766	195	61.0	23.0	10.1	4.96	2.59

5.3 Relative humidity - Impedance curve is shown in page 5

6 Mechanical characteristics :

No.	Item	Description	Criteria*
6.1	Shock resistance	Drop down 3 times@75cm	No abnormal appearance & electrical properties
6.2	Vibration resistance	2 hours each in the directions of X-Y-Z, at the frequency of 10-55Hz, and amplitude of 1.5mm	No abnormal appearance & electrical properties
6.3	Resistance to soldering heat	The lead terminal shall be Immersed by 3 mm from the substrate for 3 seconds in solder bath of 260±5°C	No abnormal appearance & electrical properties
6.4	Strength of terminations	500g@10 seconds in the axial direction of lead terminal	Secured

7 Reliability :

No.	Item	Description	Criteria*
7.1	Heat resistance	1000 hours@70°C	< ±5%RH
7.2	Cool resistance	1000 hours@-30°C	< ±5%RH
7.3	Humidity resistance	1000 hours@60°C, 90%RH	< ±5%RH
7.4	Humidity cycle	Repeat 500 cycles One cycle: 30 minutes@25°C, <30%RH 30 minutes@25°C, >90%RH	< ±5%RH
7.5	Temperature cycle	Repeat 100 cycles Each cycle: 30 minutes@-30°C 30 minutes@85°C	< ±5%RH
7.6	Voltage resistance	3000 hours@1KHz, 1Vrms	< ±5%RH

* The criteria test that the sensors finish the description process after 2 hours under normal temperature and humidity. The test condition is fixed at 25°C, 60%RH by LCR meter at 1KHz, 1 Vrms(sine wave)

This document is the exclusive property of Ghitron and shall not be reproduced or copied or transformed to any other format without prior permission of Ghitron. 本資料為積創專有之財產，非經許可，不得複製、翻印或轉變成其他形式使用。	Page 3 of 7	
	Rev.	A
	App.No.	(EC#1806001)06/01/18
	Material Part No.	

8 Packaging :

8.1 HCZ-C65

- 8.1.1 200 pieces were layed in tray, and 5 trays envelope in a bag.
- 8.1.2 10,000 pieces packed in a shipping carton box (430*360*390mm).
- 8.1.3 In case of fractional package, the above tray and carton box may not be used.

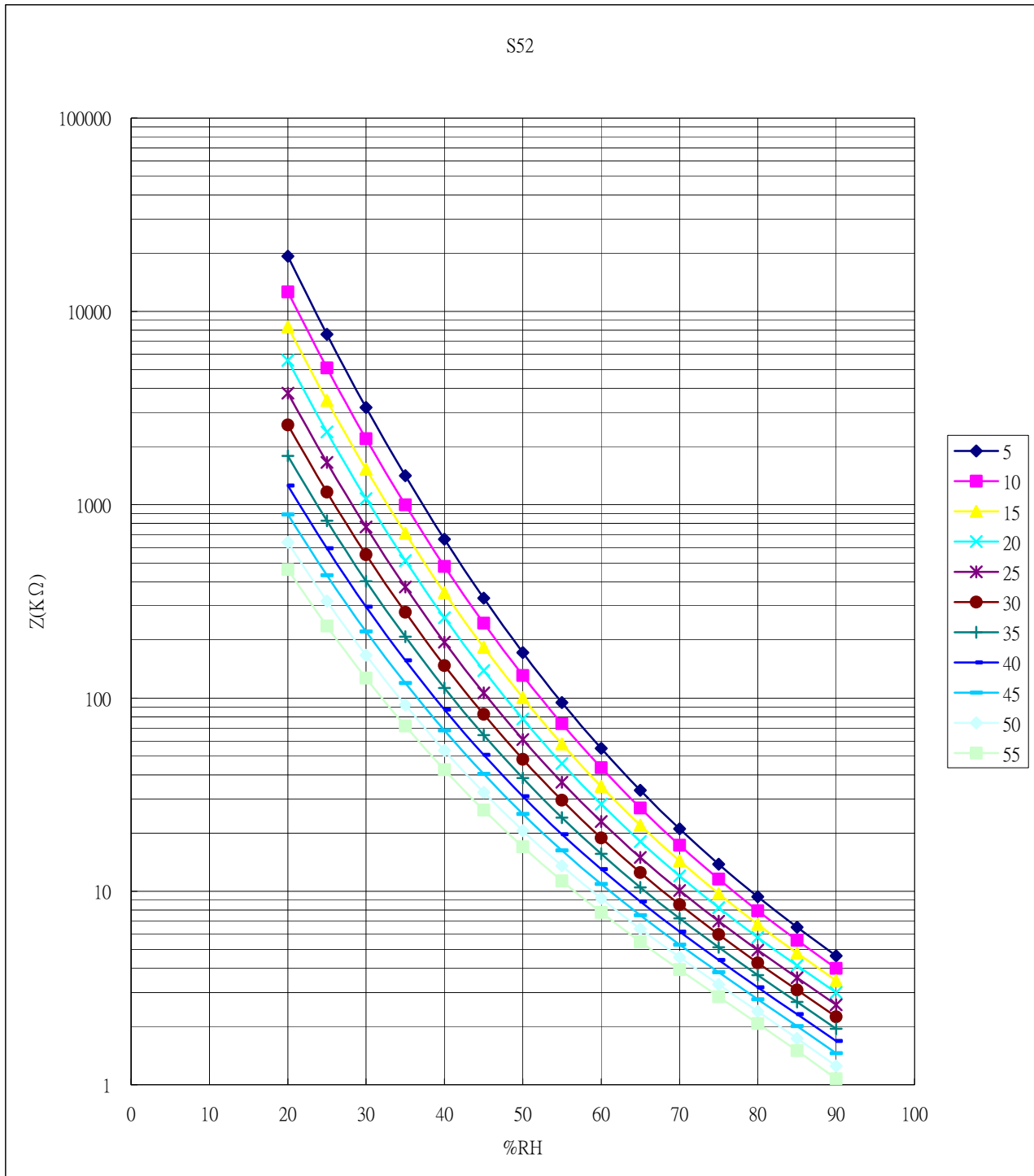
8.2 Caution remarks on operation :

- 8.2.1 To avoid direct application of DC voltage on humidity sensor.
- 8.2.2 To protect sensor from dewfall and drenching.
- 8.2.3 To avoid any operation of humidity sensors in the following environmental ambient.
 - 8.2.3.1 Salt
 - 8.2.3.2 Inorganic gas – Sulfide dioxide, Chlorine, Ammonia etc.
 - 8.2.3.3 Organic gas – Alcoholic, Glycols, Aldehydes etc.
- 8.2.4 Recommended storage condition
 - Temperature range 10~40°C
 - Humidity range 90%RH or less
- 8.2.5 Do not store humidity sensors long period of time in an over 60°C ambient due to some occasion of degradation on sensor housing case.

This document is the exclusive property of Ghitron and shall not be reproduced or copied or transformed to any other format without prior permission of Ghitron. 本資料為積創專有之財產，非經許可，不得複製、翻印或轉變成其他形式使用。	Page 4 of 7	
	Rev.	A
	App.No.	(EC#1806001)06/01/18
	Material Part No.	

REFERENCES

- Relative humidity - Impedance curve – measured at 1kHz, 1 Vrms(sine wave)



This document is the exclusive property of Ghitron and shall not be reproduced or copied or transformed to any other format without prior permission of Ghitron. 本資料為積創專有之財產，非經許可，不得複製、翻印或轉變成其他形式使用。

Page 5 of 7	
Rev.	A
App.No.	(EC#1806001)06/01/18
Material Part No.	

Impedance -- %RH VS. Temperature

Unit:KΩ

%RH	5	10	15	20	25	30	35	40	45	50	55
20	19281	12599	8330	5572	3771	2583	1789	1254	889	638	463
25	7610	5104	3463	2378	1652	1161	825	594	432	317	236
30	3183	2191	1526	1075	766	552	403	297	221	167	127
35	1410	996	712	514	376	278	208	157	120	92	72
40	662	479	351	260	195	147	113	87	68.0	53.5	42.5
45	328	244	183	139	106	82	64.4	50.8	40.5	32.5	26.4
50	172	131	100	78	61.0	48.3	38.5	31.0	25.2	20.6	17.0
55	95	74	57.9	45.9	36.7	29.6	24.1	19.7	16.3	13.6	11.3
60	54.9	43.6	35.0	28.2	23.0	18.9	15.6	13.0	10.9	9.2	7.80
65	33.3	27.0	22.0	18.1	15.0	12.5	10.5	8.9	7.52	6.42	5.49
70	21.1	17.4	14.4	12.0	10.1	8.54	7.26	6.20	5.31	4.57	3.94
75	13.8	11.6	9.7	8.24	7.01	5.98	5.13	4.42	3.81	3.30	2.85
80	9.4	7.9	6.76	5.78	4.96	4.27	3.69	3.19	2.76	2.39	2.07
85	6.53	5.59	4.80	4.14	3.57	3.09	2.68	2.32	2.01	1.74	1.50
90	4.64	4.00	3.46	2.99	2.59	2.25	1.95	1.68	1.45	1.25	1.07

Measured at 100Hz、1KHz、10KHz - Impedance curve

